

## Medium-Duty

90 lb. Load Class

1/2" Side Clearance

Max. Drawer Width: 24"



## GS4205 Over Travel Drawer Slide

Manufactured by KV Asia in Taipei, Taiwan, KV GSlide is our best-in-class ball-bearing import slide. The KV GS4205 Series 90 lb. Over travel drawer slide is a favorite of cabinet makers with cost sensitive projects who are looking for high-quality, consistent performance.

### Applications

- Wood residential and commercial furniture
- Architectural, laboratory and school casework
- Store fixtures and displays
- Storage drawers

### Specifications

**Model:** GS4205 Over Travel Drawer Slide

**Mounting:** Side

**Disconnect:** Lever

**Material:** Steel

**Hole Pattern:** 32mm and Traditional

**Type:** Ball-Bearing

**Travel:** 1" over travel

**Finish:** Zinc (ZC)

**Length:** 250mm, 300mm, 350mm, 400mm, 450mm,  
500mm, 550mm, 600mm, 650mm, 700mm

**Clearance:** .50" + .03"-0" on each side

**Height:** 1.79" [45.5mm]

**Packaging:** 10 Pair and 1 set of instructions per box

**Action:** Telescopic movement on ball-bearings

**Slide Configuration:** Unhanded

### Rating

**Load:** 90 lb.

**Max. Recommended Drawer Width:** 24"

As with all Knap & Vogt drawer slides, the GS4205 is designed to meet or exceed performance standards as established by BIFMA, BHMA and KCMA

### Accessories

**GS4340 RB:** Metal Rear Mounting Bracket (not included)

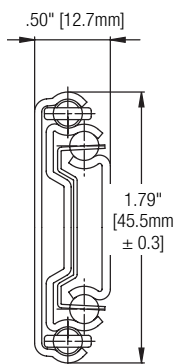
### Hardware

#7 x 1/2" Phillips Pan Head

### Warranty

Limited Lifetime Warranty

#### Profile



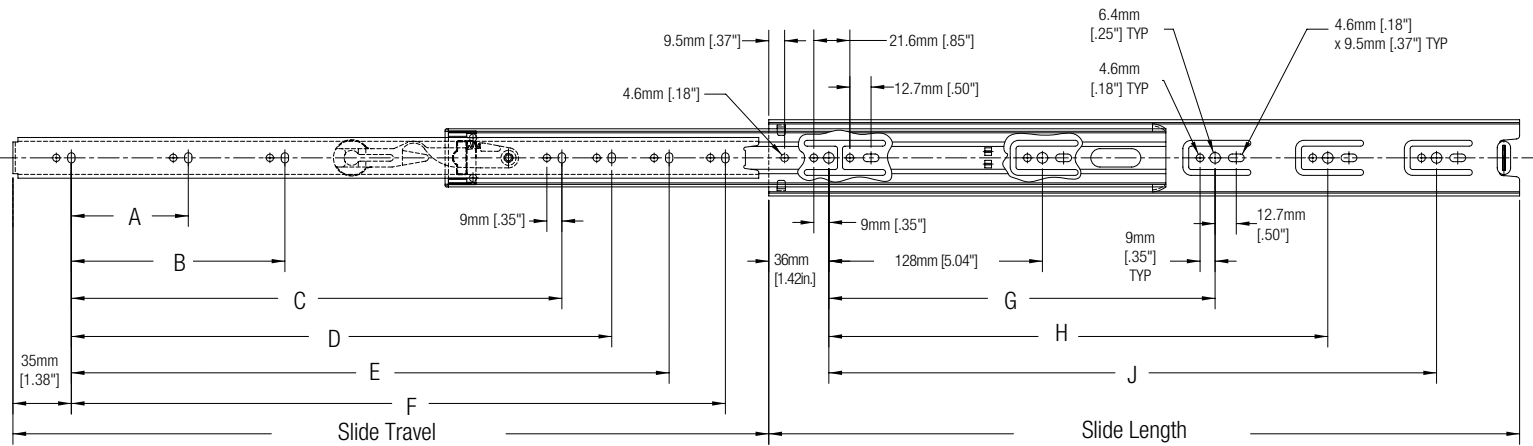
#### Clearance

1/2" + 1/32"-0"

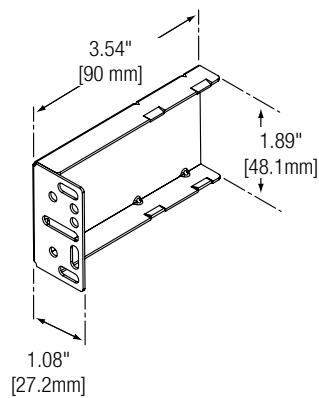
.50" + .03"- 0"

12.7mm + .8mm - 0mm

# Charted Information



SKU Number	Slide Size mm/inch	Length mm/inch	Travel mm/inch	A mm/inch	B mm/inch	C mm/inch	D mm/inch	E mm/inch	F mm/inch	G mm/inch	H mm/inch	J mm/inch
GS4205 10 GS4205 EB 10	250mm [10"]	250mm [9.83"]	278mm [10.95"]	—	—	192mm [7.56"]	—	—	—	—	—	—
GS4205 12 GS4205 EB 12	300mm [12"]	300mm [11.8"]	329mm [12.95"]	—	—	242mm [9.53"]	—	—	—	224mm [8.82"]	—	—
GS4205 14 GS4205 EB 14	350mm [14"]	350mm [14.96"]	380mm [14.96"]	96mm [3.78"]	—	292mm [11.5"]	—	—	—	224mm [8.82"]	—	—
GS4205 16 GS4205 EB 16	400mm [16"]	400mm [15.75"]	430mm [16.93"]	96mm [3.78"]	—	342mm [13.46"]	—	—	—	224mm [8.82"]	320mm [12.6"]	—
GS4205 18 GS4205 EB 18	450mm [18"]	450mm [17.72"]	477mm [18.78"]	128mm [5.03"]	—	294mm [11.58"]	392mm [15.43"]	—	—	224mm [8.82"]	352mm [13.86"]	—
GS4205 20 GS4205 EB 20	500mm [20"]	500mm [19.69"]	539mm [21.22"]	96mm [3.78"]	160mm [6.3"]	344mm [13.54"]	442mm [17.40"]	—	—	224mm [8.82"]	416mm [16.38"]	—
GS4205 22 GS4205 EB 22	550mm [22"]	550mm [21.65"]	589mm [23.19"]	96mm [3.78"]	160mm [6.3"]	352mm [13.86"]	394mm [15.51"]	492mm [19.37"]	—	224mm [8.82"]	352mm [13.86"]	448mm [17.64"]
GS4205 24 GS4205 EB 24	600mm [24"]	600mm [23.62"]	639mm [25.16"]	128mm [5.03"]	192mm [7.56"]	384mm [15.12"]	444mm [17.48"]	542mm [21.34"]	—	224mm [8.82"]	352mm [13.86"]	480mm [18.9"]
GS4205 26 GS4205 EB 26	650mm [26"]	650mm [25.59"]	689mm [27.13"]	128mm [5.03"]	224mm [8.82"]	416mm [16.38"]	494mm [19.45"]	592mm [23.31"]	—	224mm [8.82"]	352mm [13.86"]	544mm [21.42"]
GS4205 28 GS4205 EB 28	700mm [28"]	700mm [27.56"]	736mm [28.98"]	128mm [5.03"]	224mm [8.82"]	416mm [16.38"]	480mm [18.9"]	544mm [21.42"]	642mm [25.28"]	224mm [8.82"]	352mm [13.86"]	544mm [21.42"]



GS4340 RB Metal Rear Bracket



**KNAPE & VOGT.**  
 2700 Oak Industrial Dr. NE  
 Grand Rapids, MI 49505-6026 USA  
 1.800.253.1561 | 616.459.3311  
 Fax: 877.636.3290  
 www.kv.com

Manufactured by Knap & Vogt Asia / Taipei, Taiwan. Distributed by Knap & Vogt Manufacturing Company.

This and other KV literature is available for download at [www.kv.com](http://www.kv.com) > Resource Library.

Knap & Vogt reserves the right to change product specifications at any time without notice and without incurring responsibility for existing units.

©2019 Knap & Vogt. KV GSlide. KV and the KV logo are trademarks of Knap & Vogt.

OL2376/1119