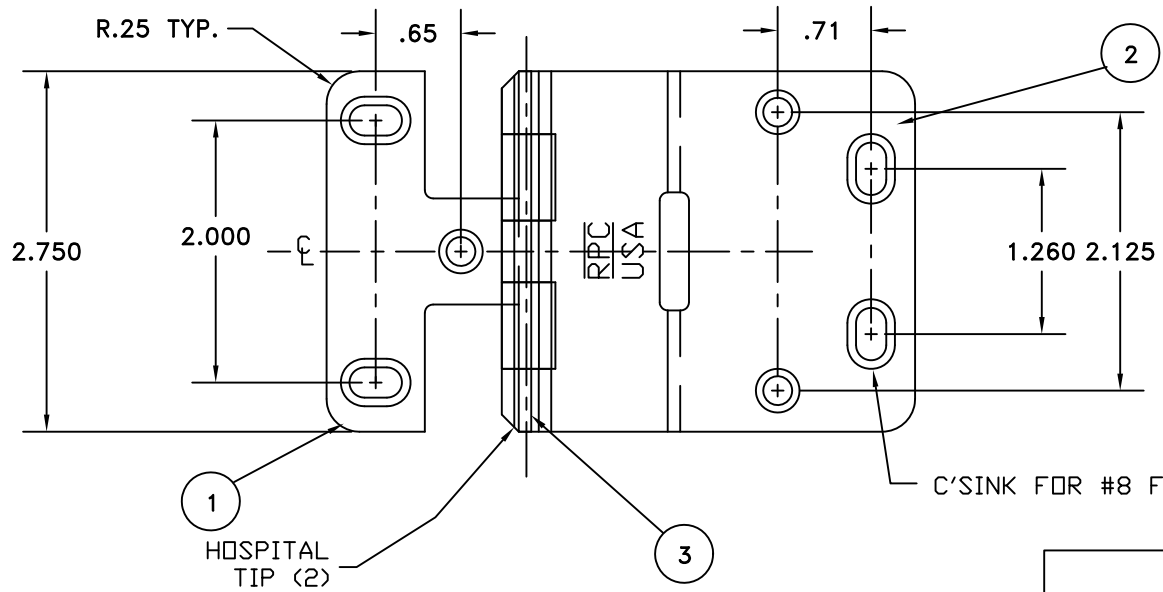
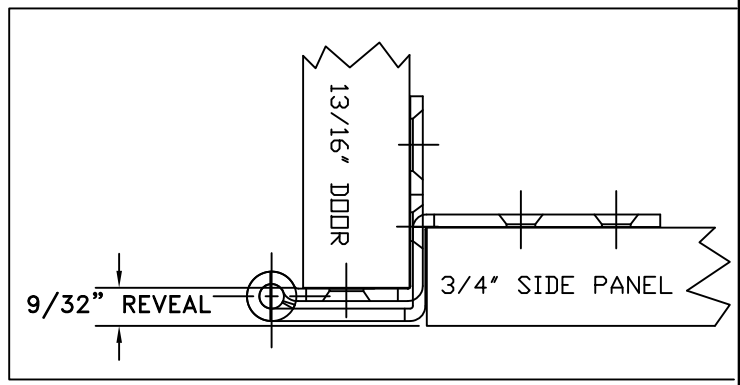
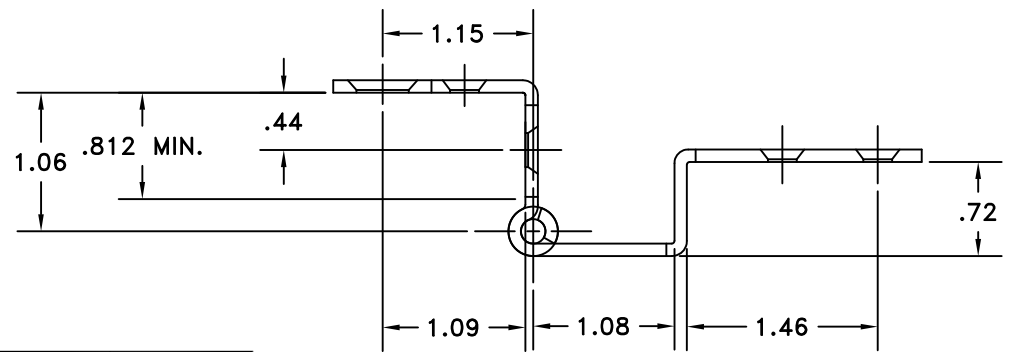


PART NUMBER 376SS-APP REV. A

ITEM	QTY	BILL OF MATERIAL
1	1	WING, 2-PRONG
2	1	WING, 3-PRONG
3	1	PIN, KNURLED



C'SINK FOR #8 FLATHEAD SCREW OR 5MM EURO SCREW (9)



APPLICATION DRAWING

CUSTOMER P/N (IF APPLICABLE) _____ REV. _____

THIS PRINT IS THE PROPERTY OF RPC AND ITS DUPLICATION, RETENTION OR TRANSMITTAL TO OTHERS IS PROHIBITED WITHOUT PRIOR CONSENT.

ECR#	REV.	DESCRIPTION	BY	DATE
	A	REVISED FOR NEW TOOLING	CWW	5/17/10

MATERIAL .090 TYPE 304 STAINLESS STEEL	SCALE (SIZE) 1:1.5	SHT NO. OF 1 OF 1
FILENAME 376SSAPP	MAT'L WT (LBS/EA)	PART DESCRIPTION HINGE, OVERLAY 3/4" X 13/16"
DRAWN BY MAB	DATE 3/16/05	PART NUMBER 376SS-APP
		REV. A