

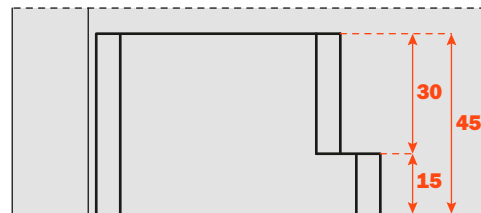
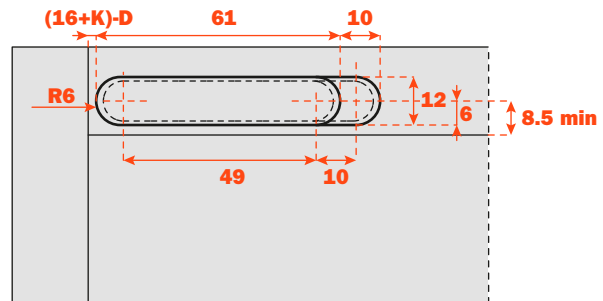
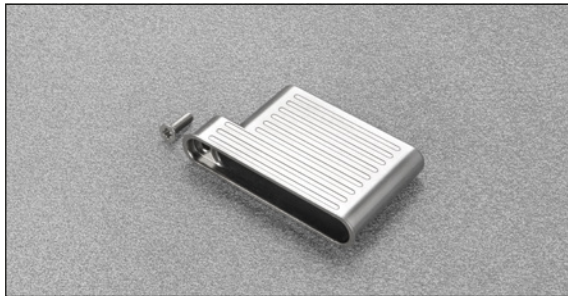
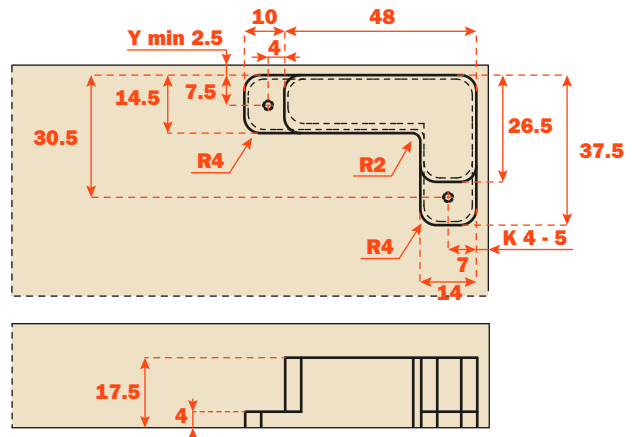
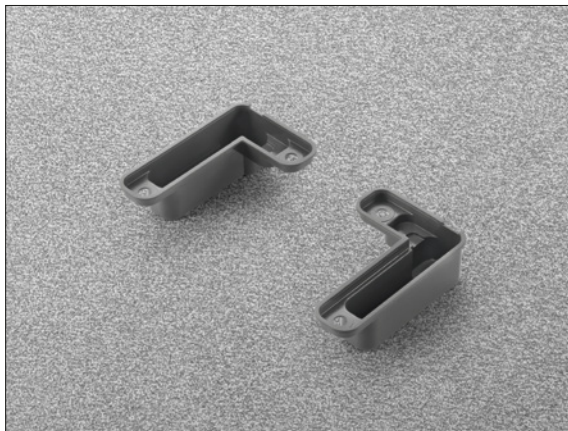
## Sleeves assembly on wood doors

Air can be equipped with sleeves for the hinge cup and arm. The sleeves are inserted respectively into the door and the cabinet and make the insertion of the hinge easier as well as hiding any surface imperfections caused by the machining of the cabinet.

The sleeve for the arm, which is inserted into the panel, provides additional support for Air when is used in thinner materials. We recommend the use of a low-expansion, single-component polyurethane adhesive, suitable for bonding wood to metal.

Moreover, to supplement the adhesive bond, it is possible to insert two 3.5x20 screws (not supplied) through the bottom of the holder.

The sleeves are available in two colors, matching hinges with nickel-plated and titanium finish.

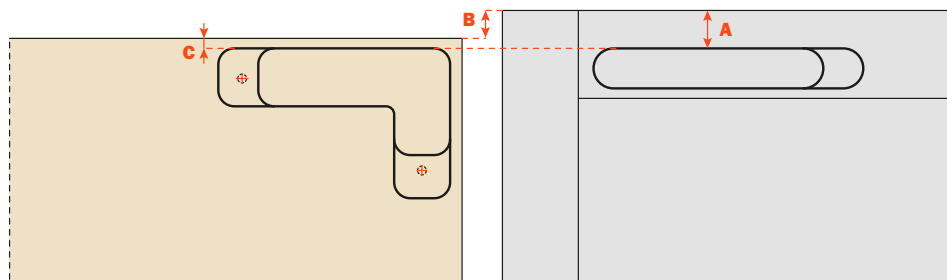


Formulas to determine the distance for the insertion of the sleeves for arm.

$$A = B + C$$

$$B = A - C$$

$$C = A - B$$

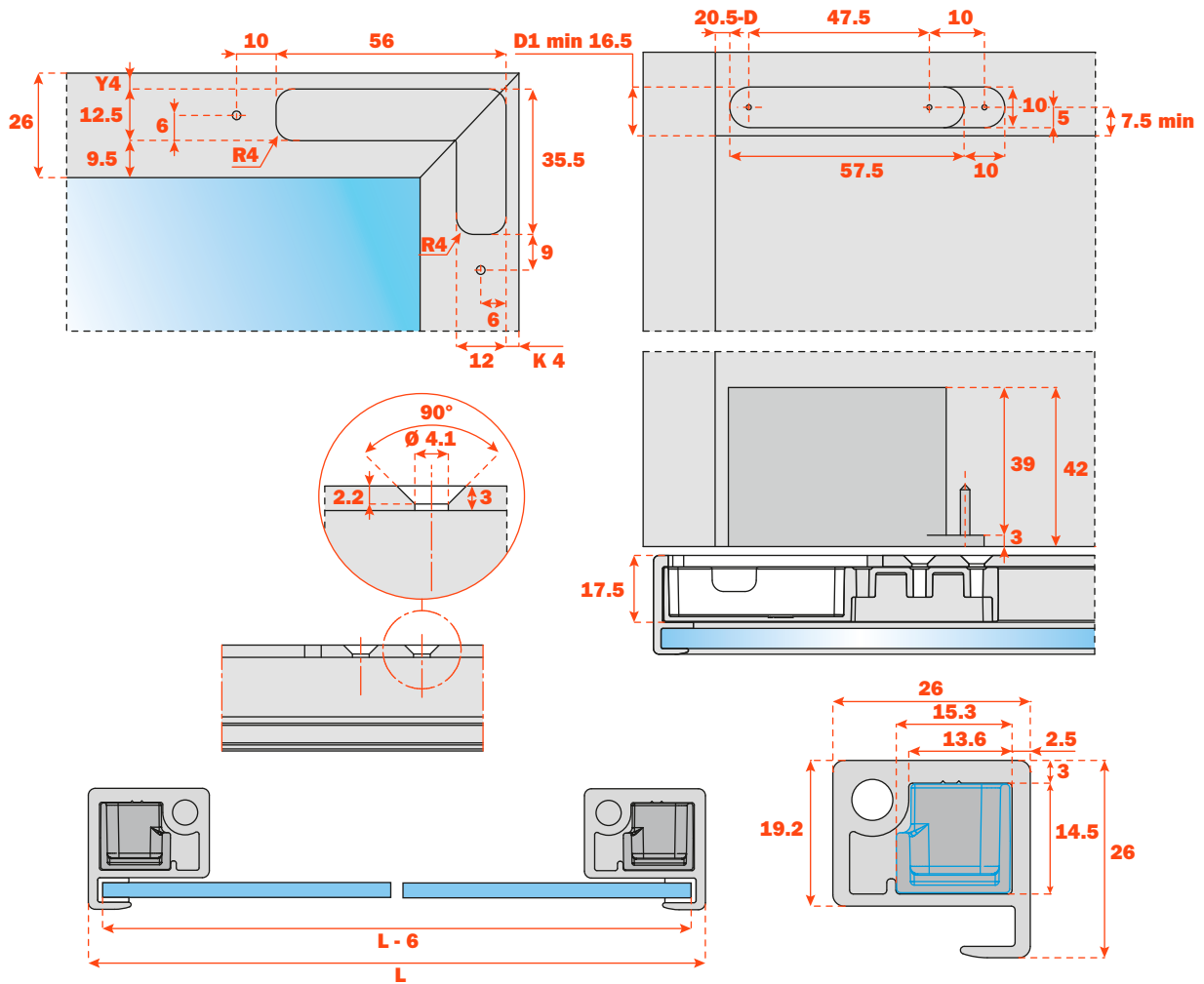


**Air - Sleeves assembly on aluminium-framed doors**

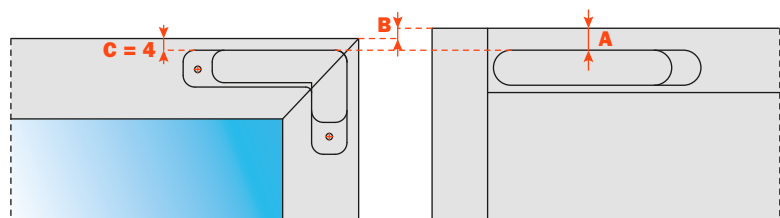


**Assembly on the aluminium frame DEL6LP300\_**

**Dimensions of the frame 26x26 mm.**



**Formulas to determine the distance for the insertion of the sleeves for arm.**



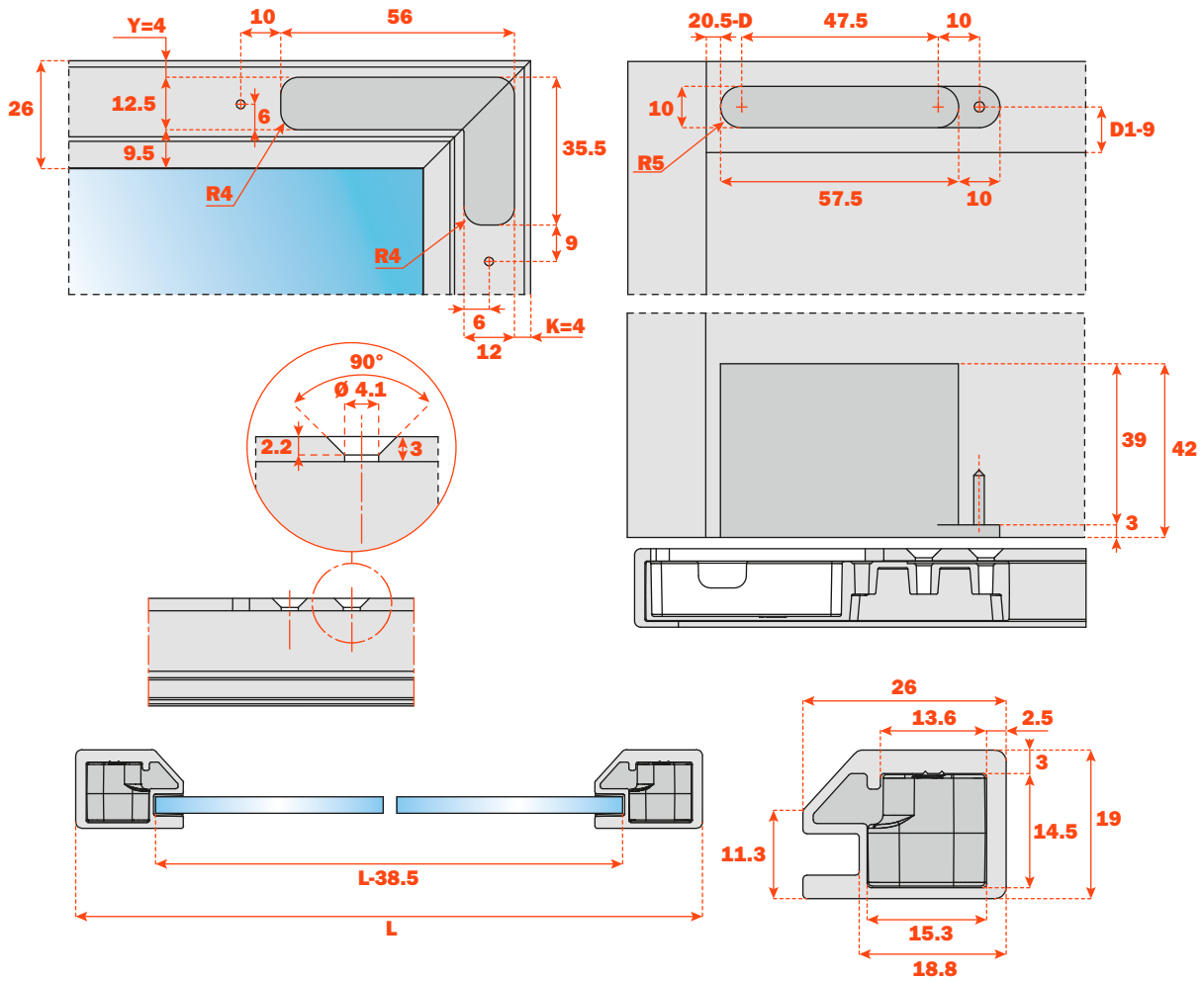
$$A = B + 4$$

$$B = A - 4$$

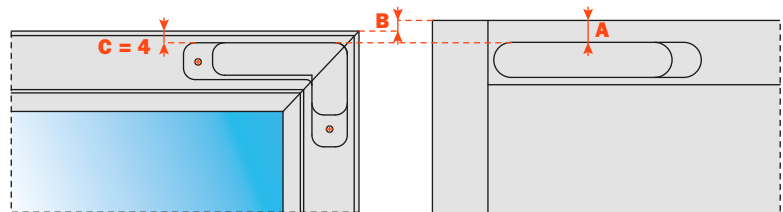


Assembly on the aluminium frame DEL9LP300\_

Dimensions of the frame 26x19 mm.



Formulas to determine the distance for the insertion of the holders for arm.



$$A = B + 4$$

$$B = A - 4$$